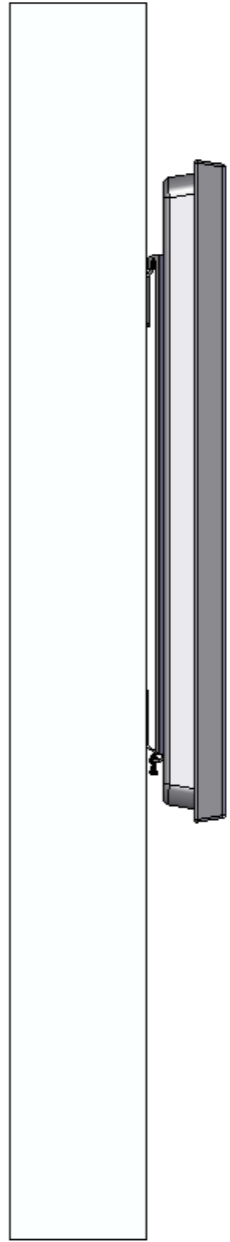
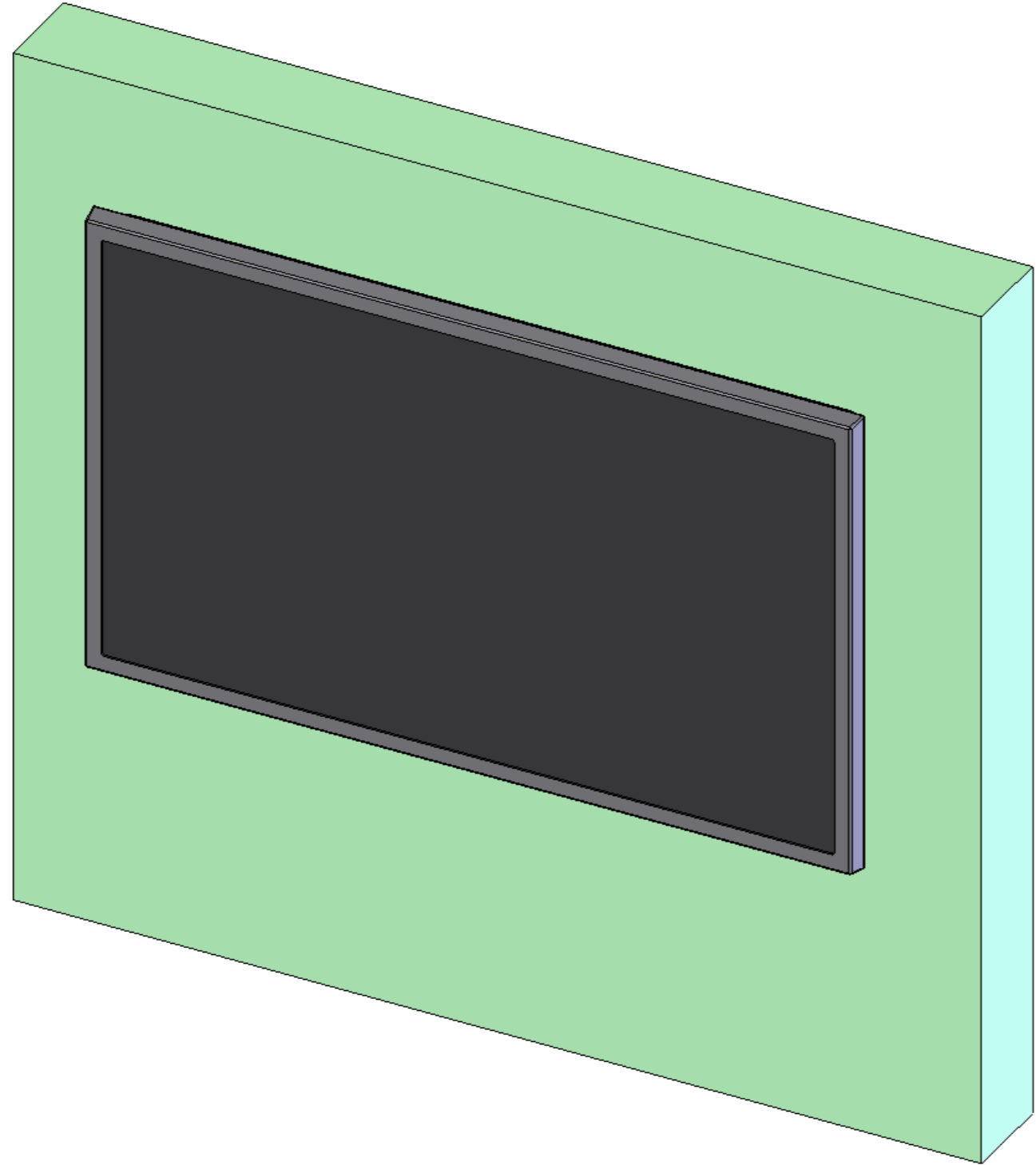


DESIGN HIGHLIGHTS

- Simple to fit, two part design
- Solid steel construction for strength
- Ultra slim profile
- Can be mounted portrait

OPTIONS

- Marine suitable option



FUNCTION

The PF60 mount enables a 60" to 90" screen to be mounted on a wall, keeping it as flat as possible to the wall.

SUITABILITY

Can be configured to suit mounting patterns of any width

Maximum mounting pattern height of [27.5] 700mm

Can be fitted in a recess

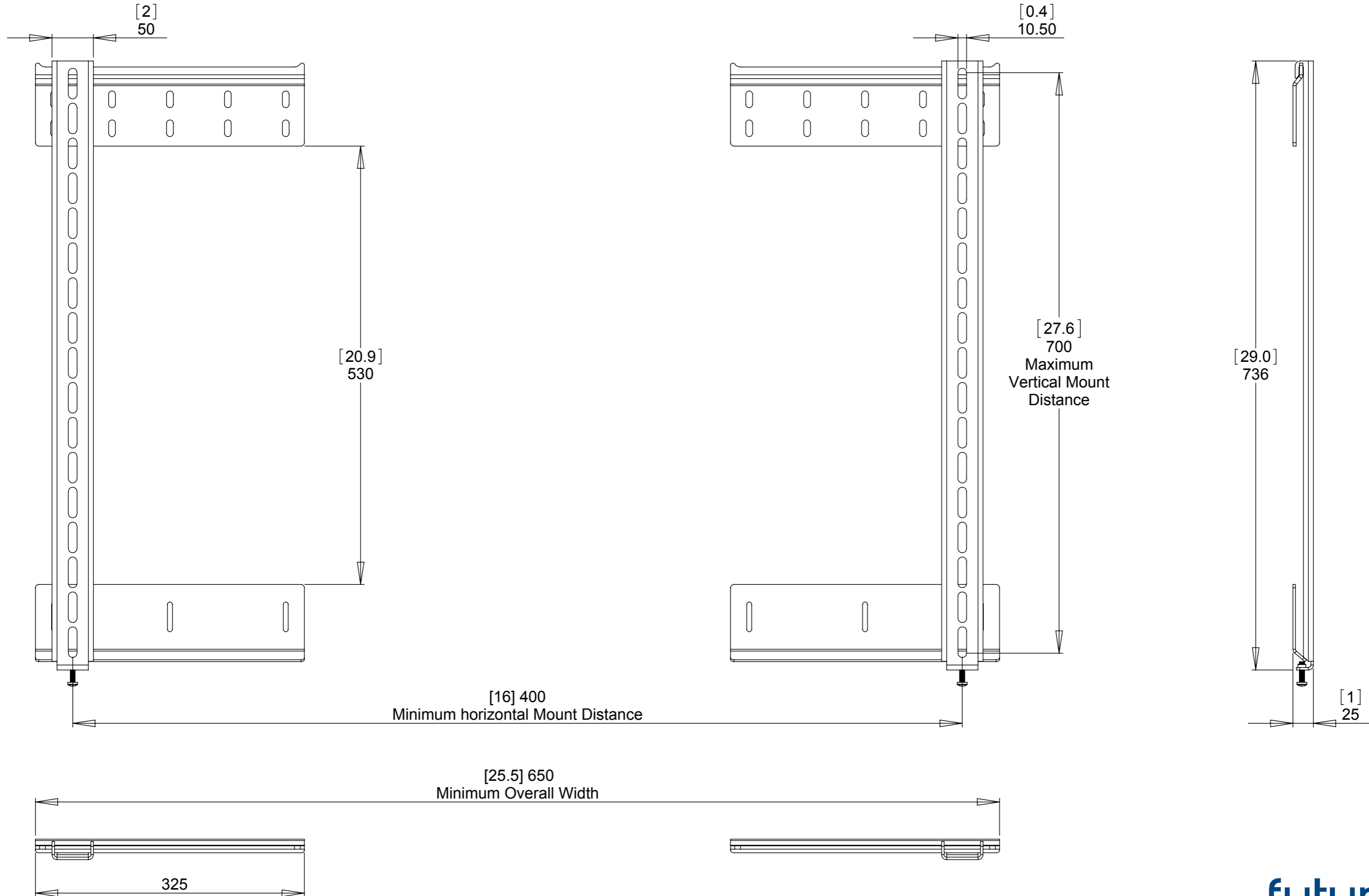
SPECIFYING

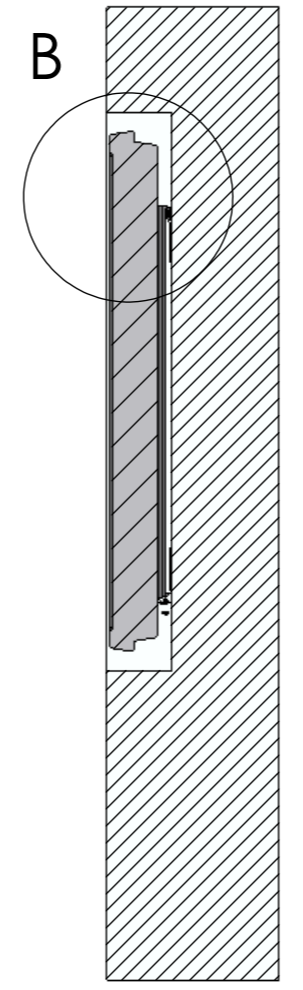
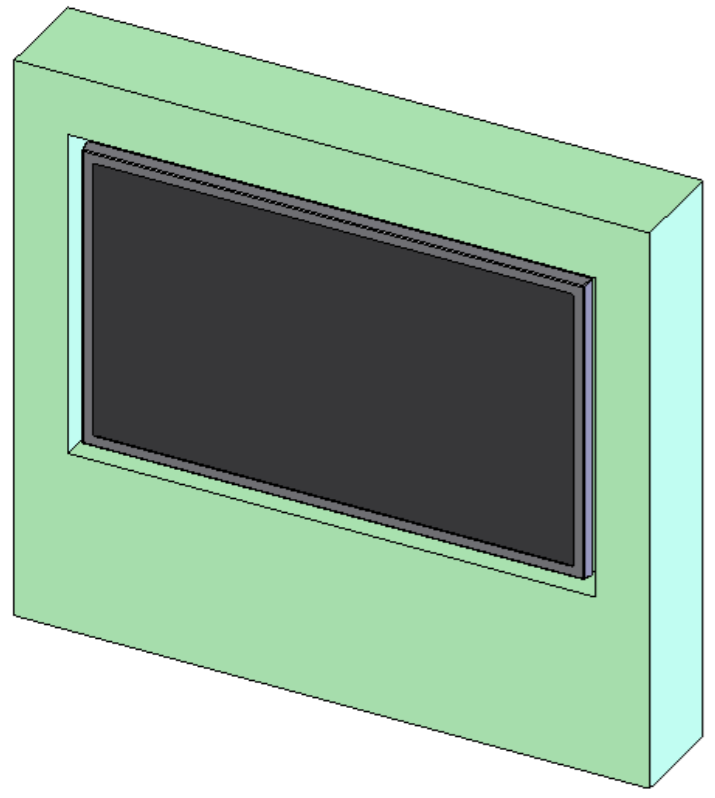
Check the wall make up for suitability

Check viewing angles and position

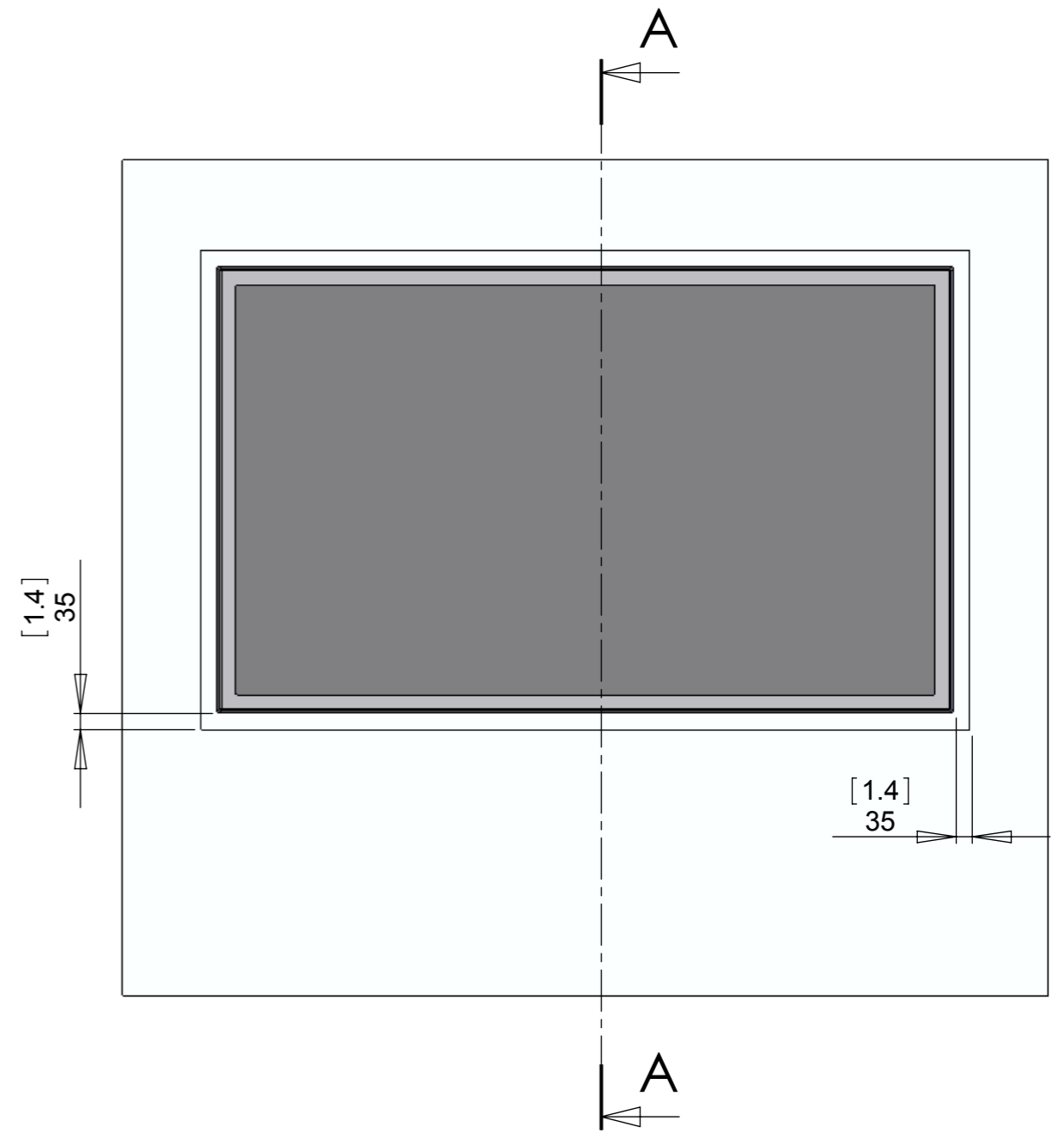
CONTROL

No fixings are provided with this product. Consider using rawl bolts or resin anchors. Resin anchors are ideal for softer brickwork or blocks.

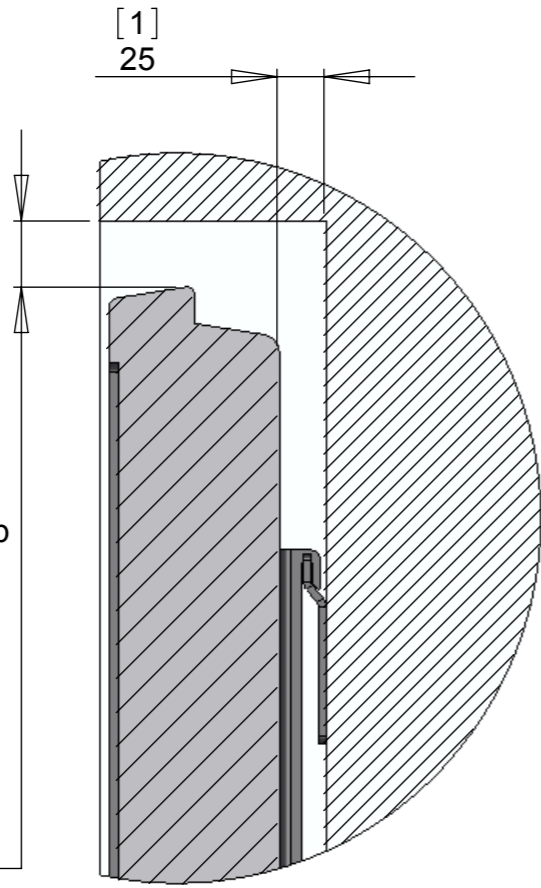




SECTION A-A
SCALE 1 : 14



Recess Depth = [1] 25mm + Screen Depth



DETAIL B
SCALE 1 : 4

Suggested [1.4] 35mm gap
round plasma perimeter

Hook over system
only requires [0.6] 15mm

Larger gap may be
needed for extra
ventilation depending
on screen type.