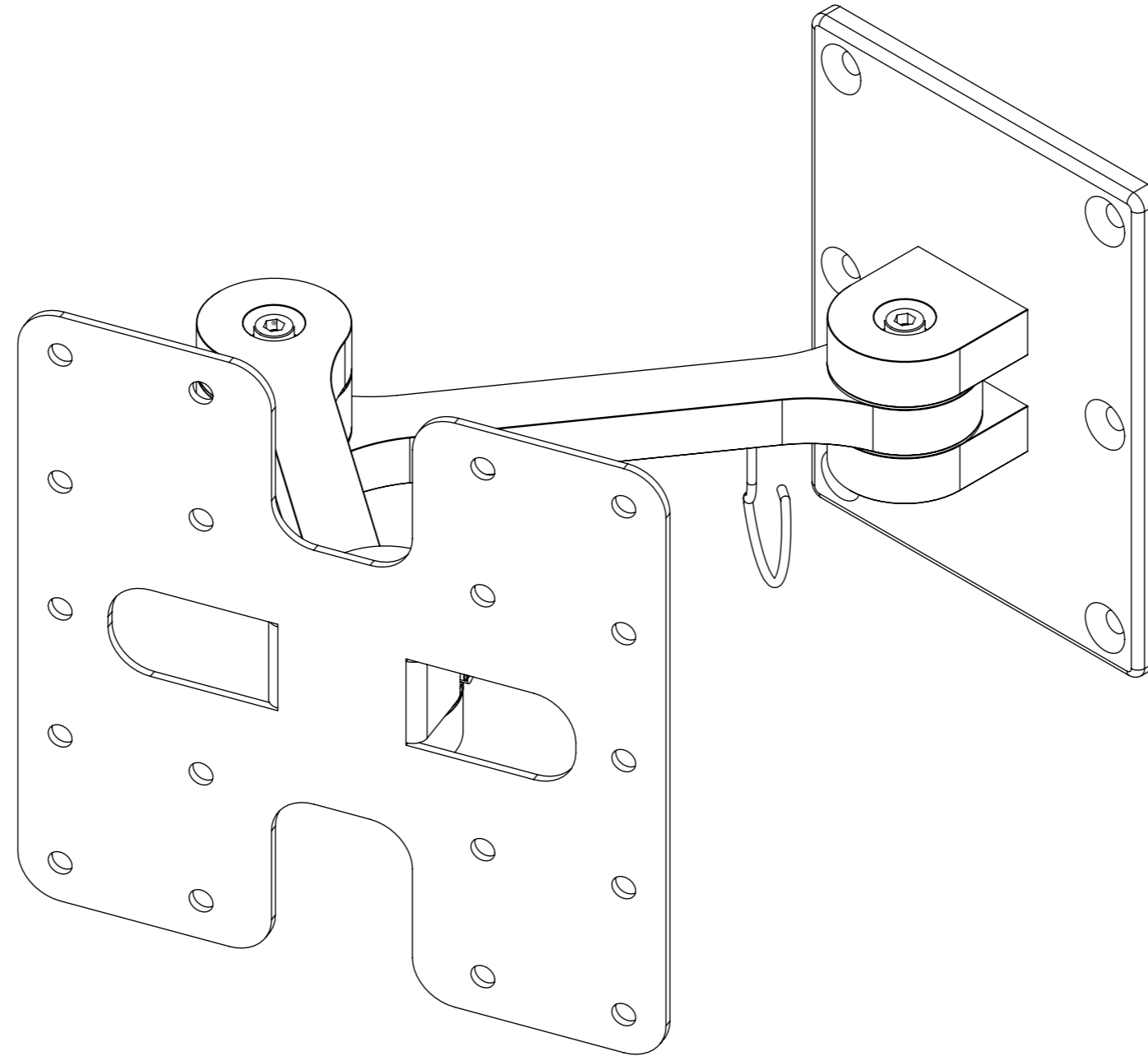


FSA2

FLAT SCREEN ALUMINIUM



future automation



FSA2

FLAT SCREEN ALUMINIUM

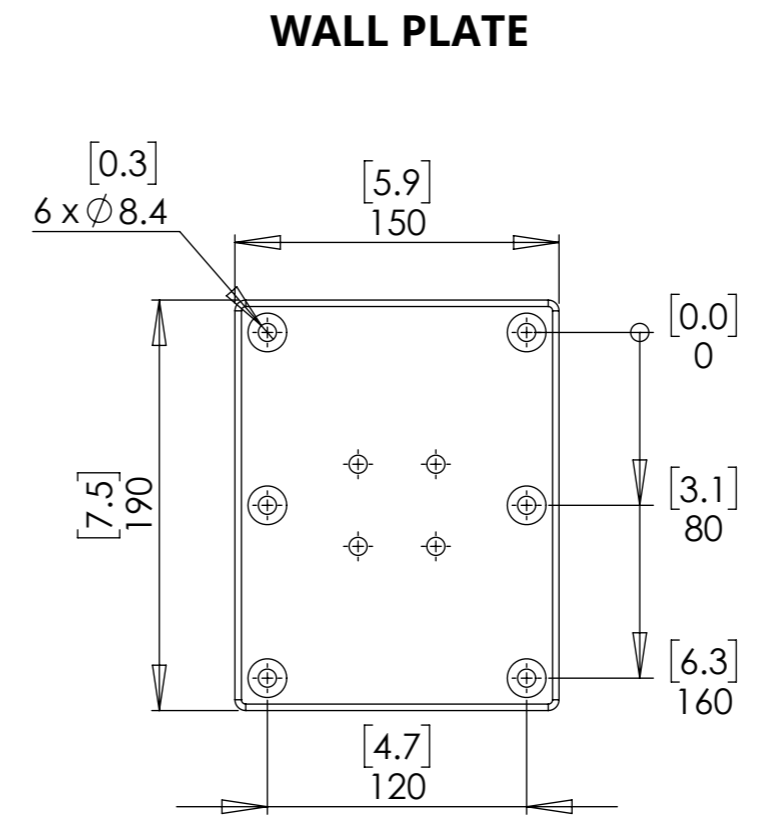
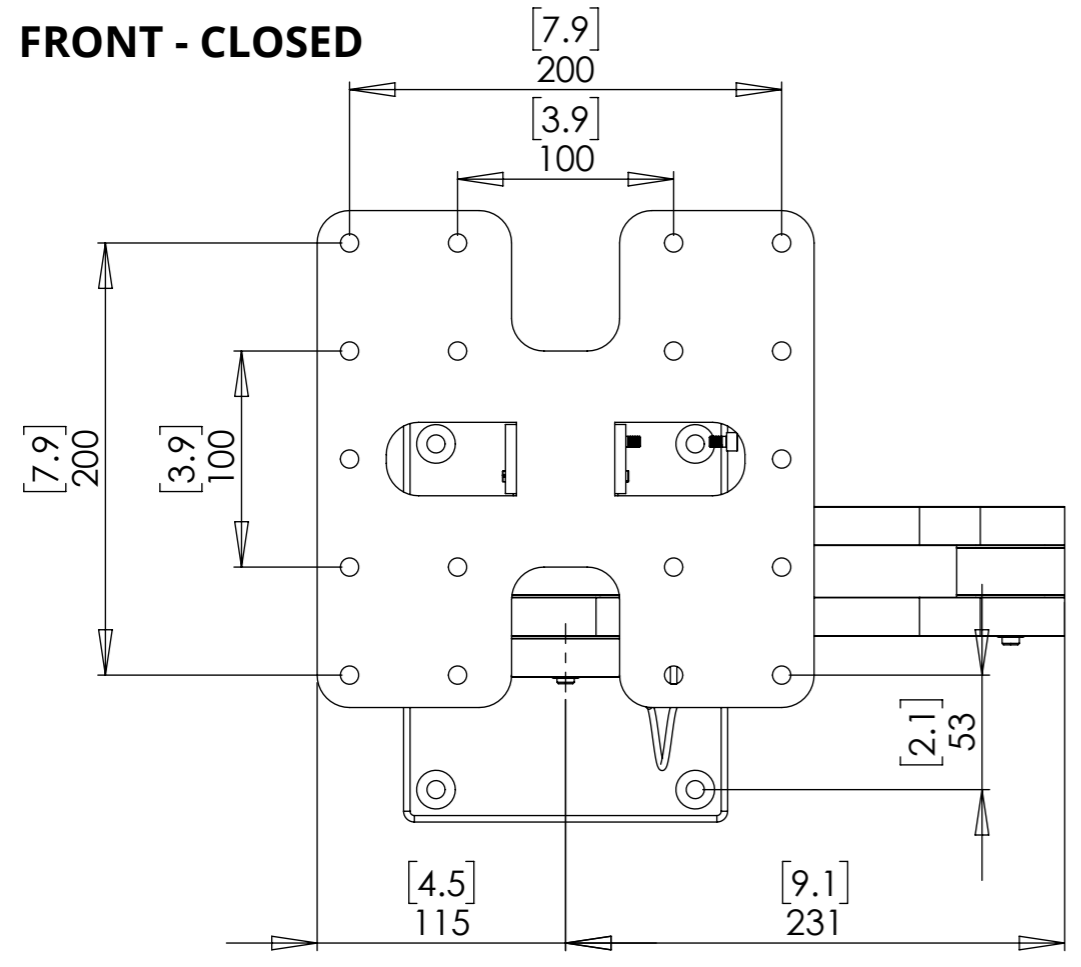


SPECIFICATION	MEASUREMENTS
Screen Sizes	26" - 37"
Maximum Weight Capacity	15Kg (33lb)
Maximum Extension From Wall	486mm (19.1")
Depth From Wall	74mm (2.9")
Packaging Dimensions	370 x 260 x 170mm (14.56 x 10.23 x 6.69")
Shipping Weight	4Kg (9lb)
Maximum Rotation	180° - Bidirectional
Movement Type	Manual
Mounting Patterns Supported	VESA 200, 100 W x 200, 100 H
Product Options / Features	Specific B&O and Loewe mounts / adapters, Marine suitable version
Package Contents	Mechanism
Marine Suitable	No

FSA2 FLAT SCREEN ALUMINIUM

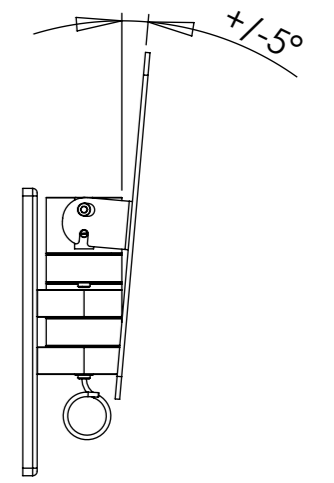


DIMENSIONS

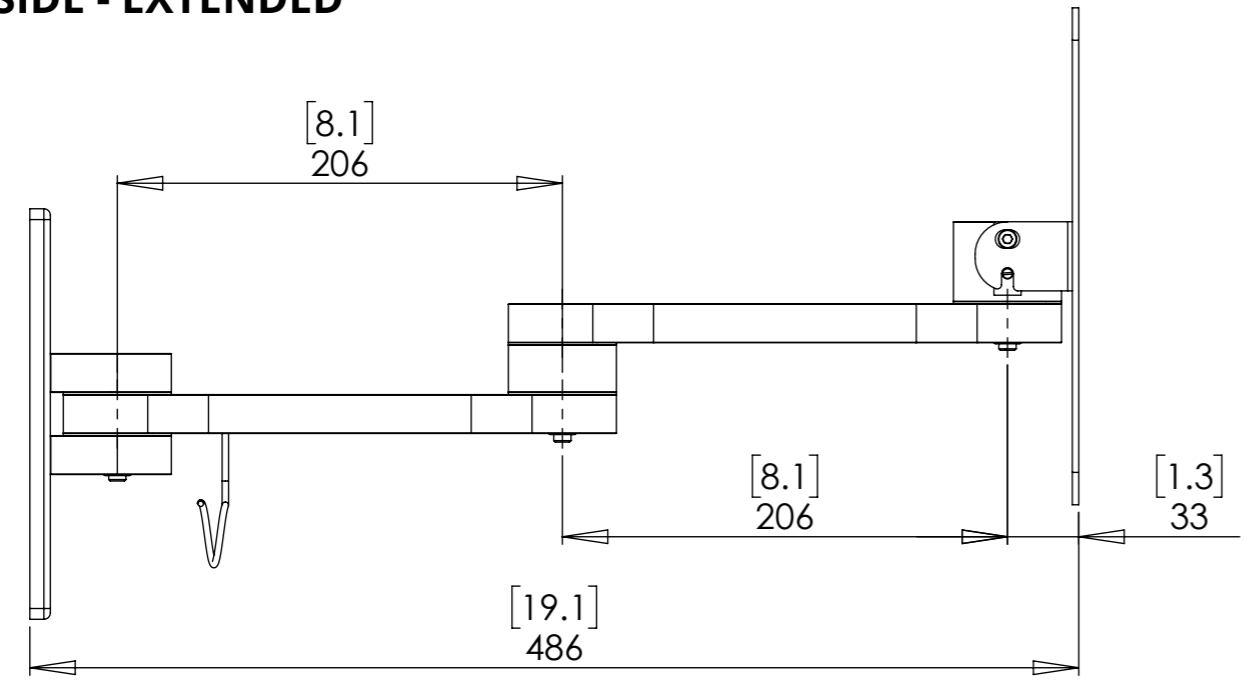


TILT OPTION

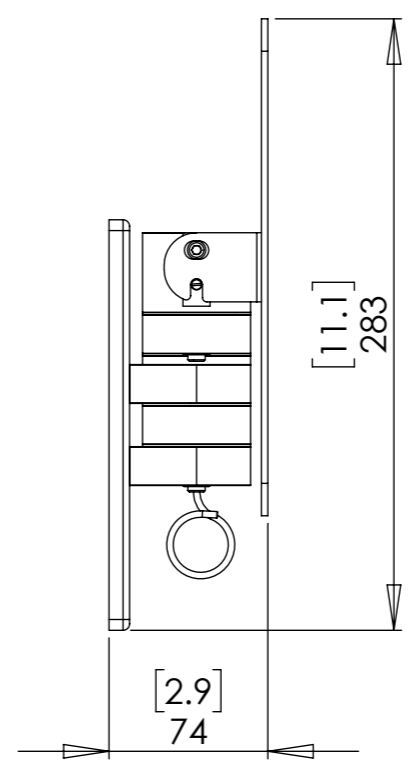
When altering the degree of tilt, loosen the top bolt of the mount plate so it is free to move. Once the desired angle is found tighten the bolt back up.



SIDE - EXTENDED



SIDE - CLOSED



TECHNICAL SHEET