

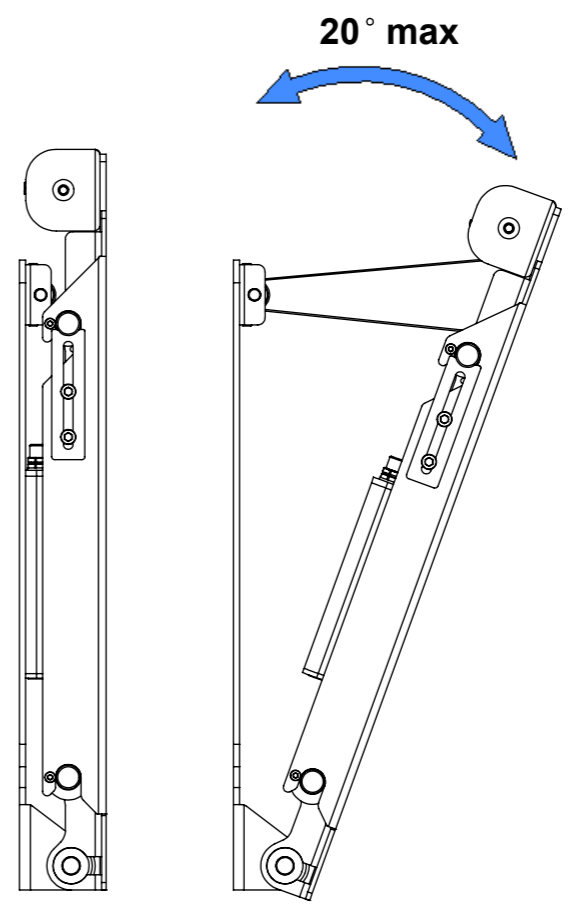
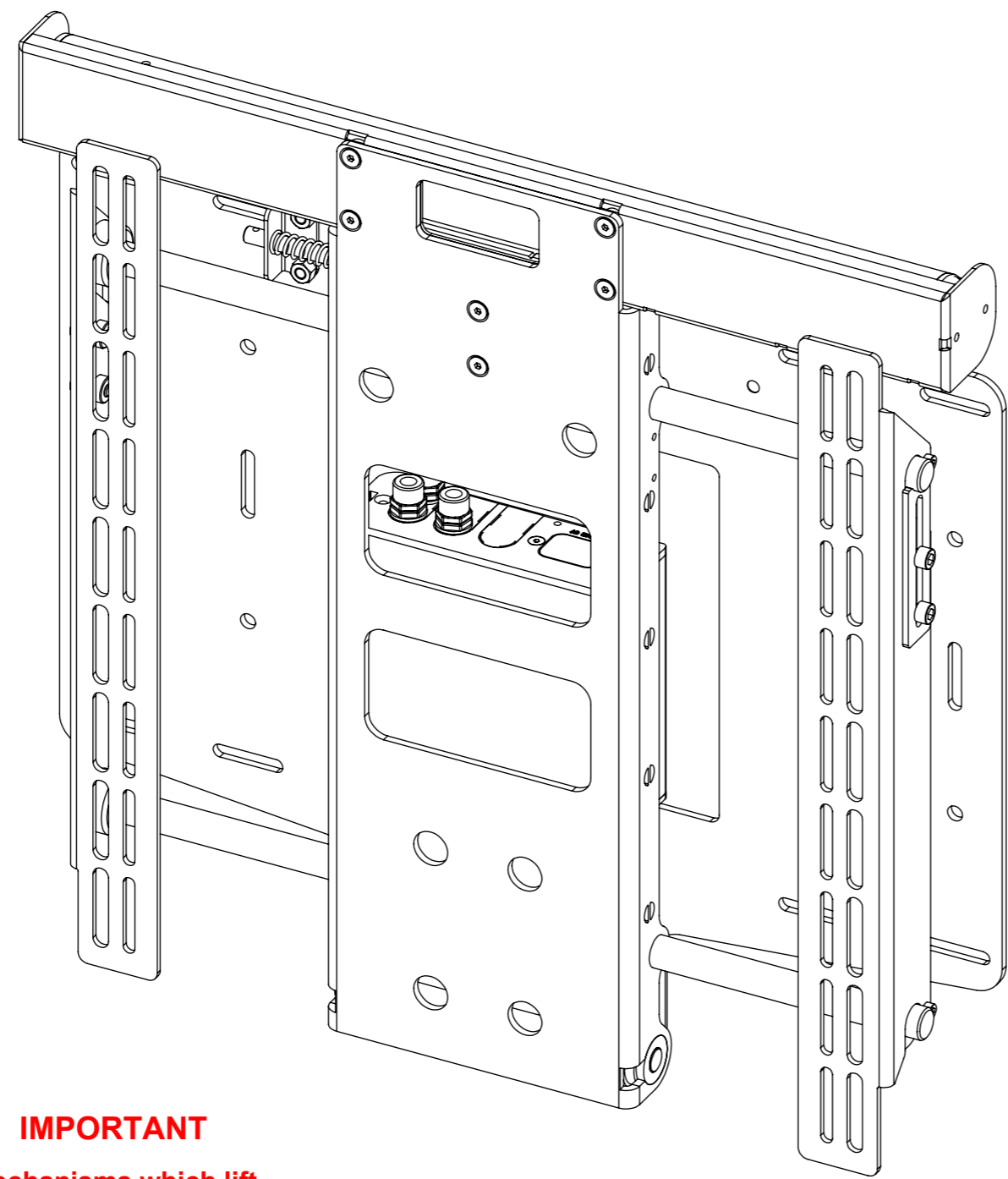


DESIGN HIGHLIGHTS

- Downward tilt up to 20 degrees
- Smooth quiet motion
- Onboard electronics

OPTIONS

- Any RAL colour available
- Loewe mount option



FUNCTION

The ET tilting bracket is a remote controlled mechanism that will tilt flat screens from 32" to 50" up to an angle of 20° from the wall.

SUITABILITY

Designed for screens from 32" to 50".

Minimum screen width 680mm [26.8"], minimum screen height 495mm [19.5"].

Compatible with most standard mounting types.

The product is not recommended to be mounted in a recess unless the control box is on a flying lead, please specify this when ordering.

SPECIFYING

Check wall suitability to determine appropriate fixings required.

CONTROL

Supplied with basic infrared remote. Can be learnt by many learning remotes.

Also has switch control so can be operated by relays, switches, Crestron/AMX or Lutron systems.

WARNING

It is the responsibility of the installer to warn all potential end users of the dangers of interfering with mechanisms during operation

IMPORTANT

Mechanisms which lift or move weights need to be checked on a yearly basis for any damage which may result in an accident



General Dimensions

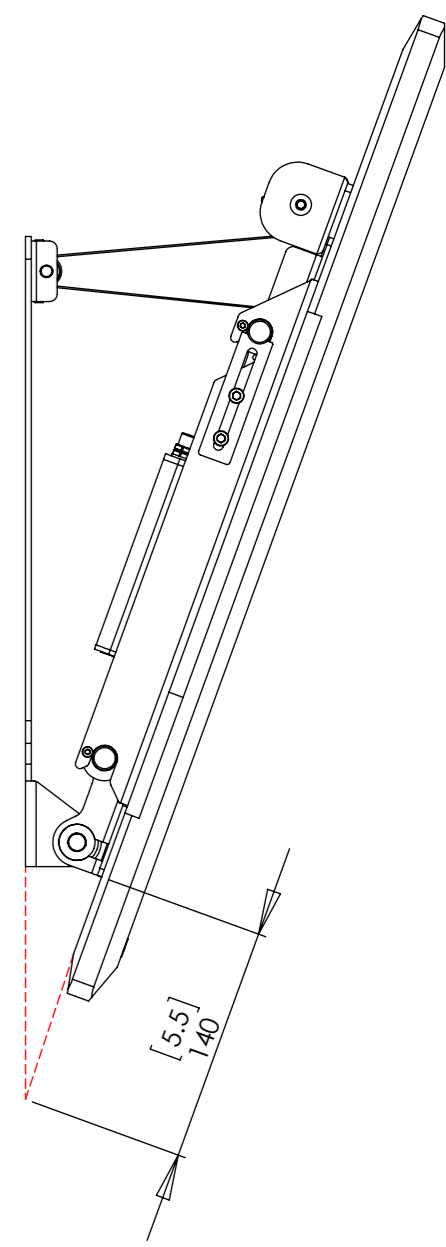
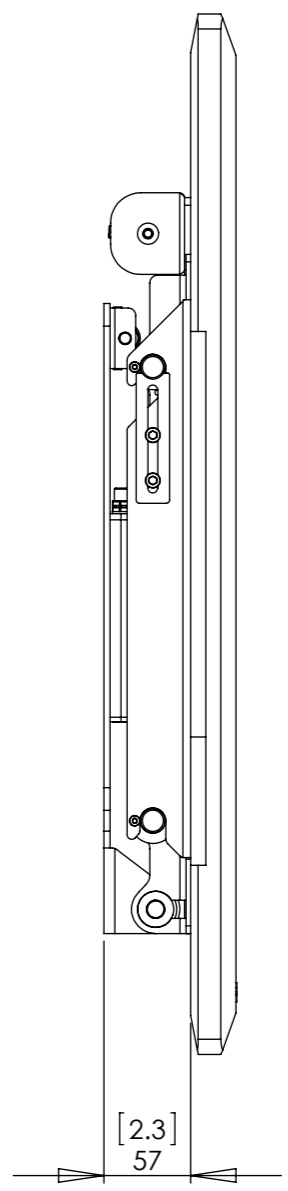
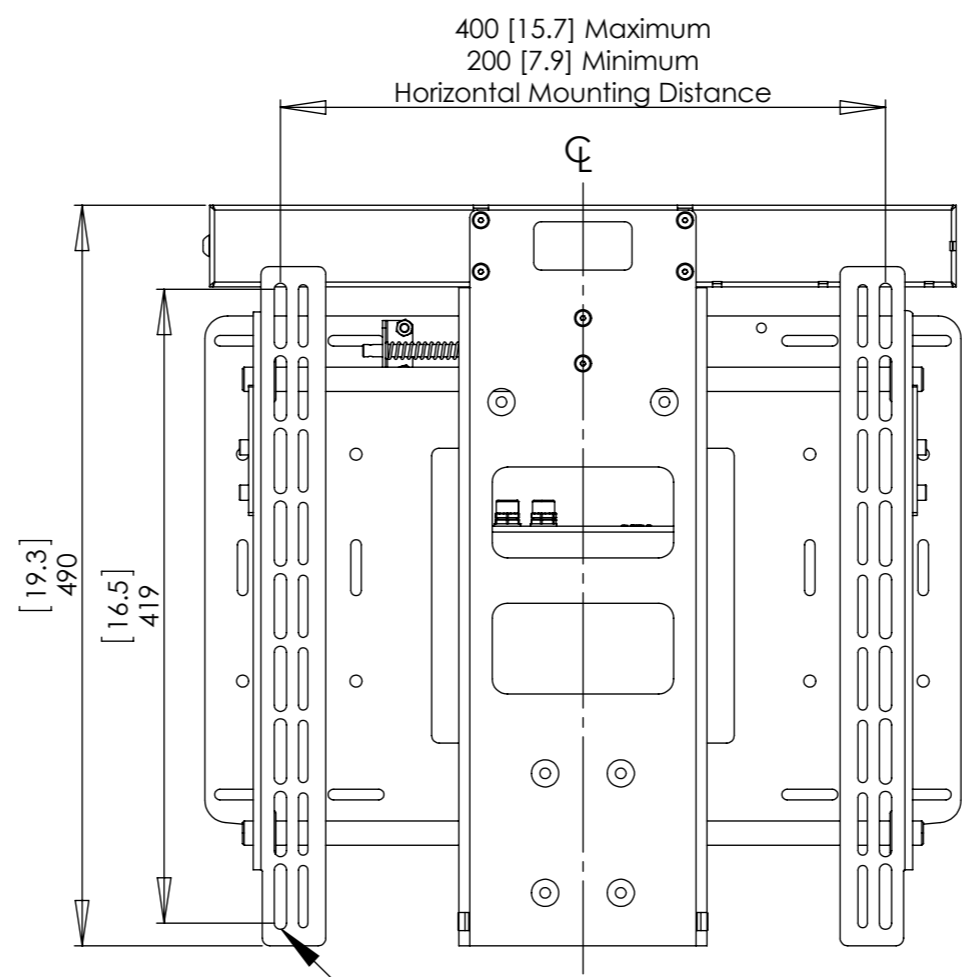
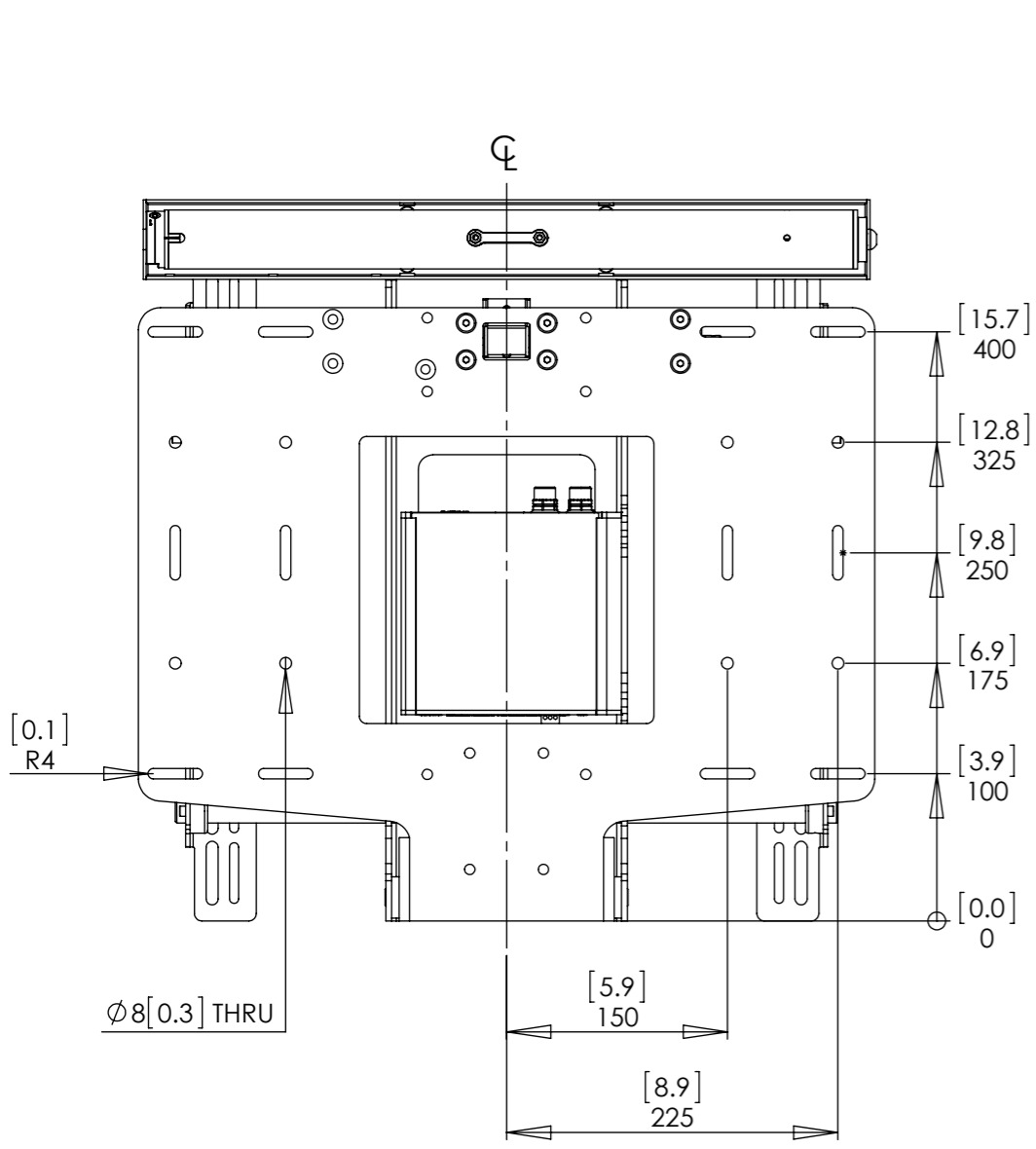
NOTE:
The maximum distance that the bottom of any screen can be below the bottom of the bracket is 140mm [5.5"]. As shown with the red line detail.

If this distance is exceeded, the screen may hit the wall as the bracket tilts.

However, if the tilt angle is reduced, this distance can then be increased.

Easy to use
'hook on screen
mounting'.

Amount of tilt can
easily be adjusted up
to a maximum of 20
degrees.



NOTE:
The mechanism is 500mm [19.7] wide. This is therefore the minimum width of any screen that can be mounted on the ET mechanism.

Emergency Release Cable

If the mechanism needs to be moved to the OUT position without power, the Emergency Release feature can be used. This disengages the Pulley and Strap, allowing the screen to tilt forward freely.

It is the responsibility of the installer to position the end of the Emergency Release Cable in an easily accessible position. A sticky pad is provided to guide the cable along the back of the screen.

