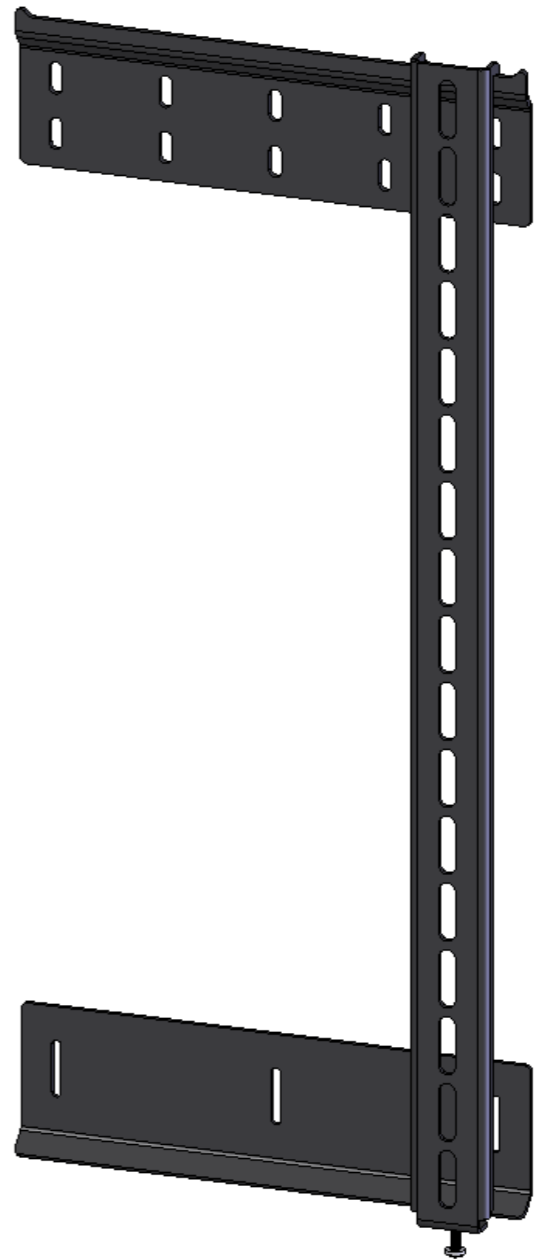
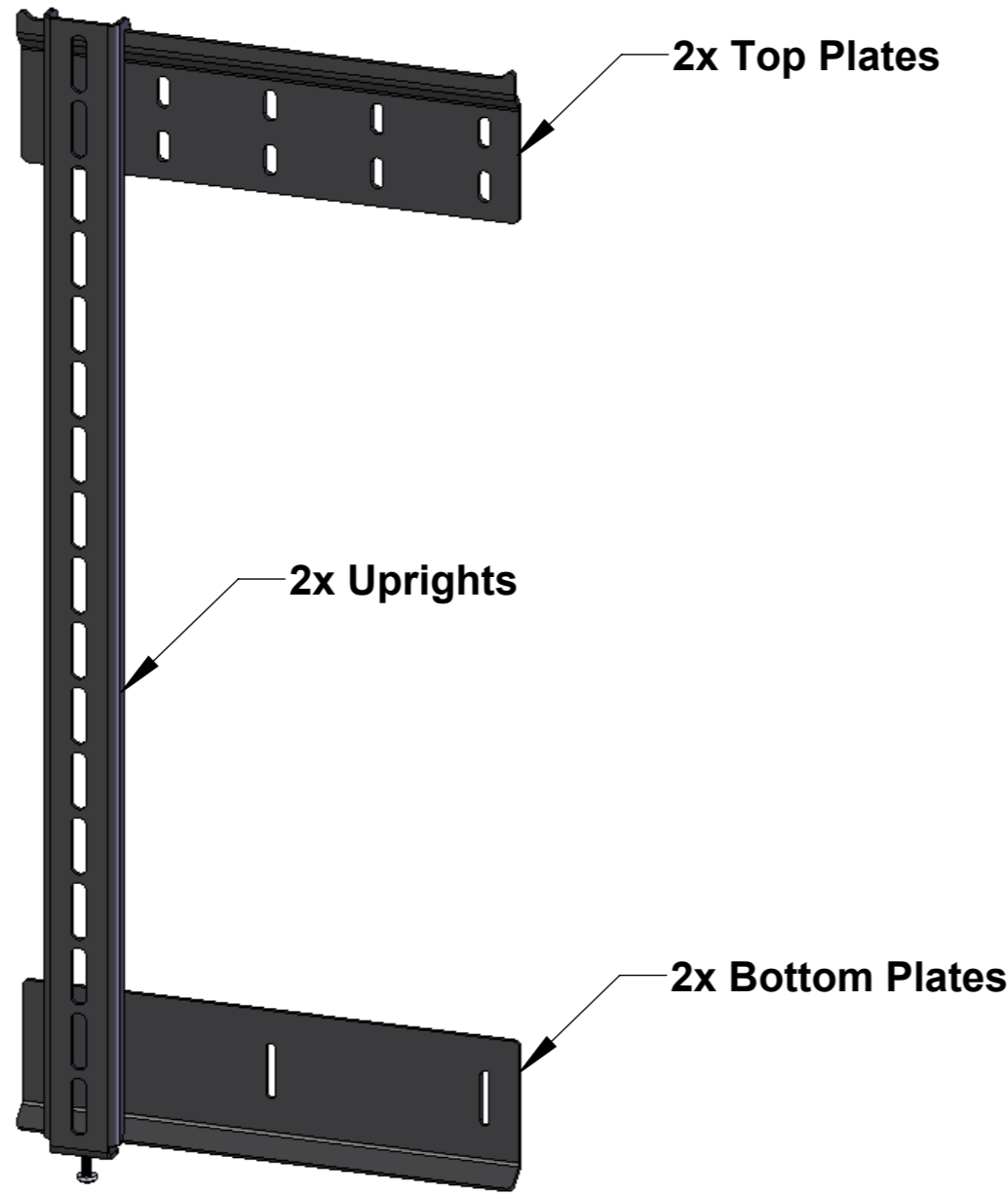
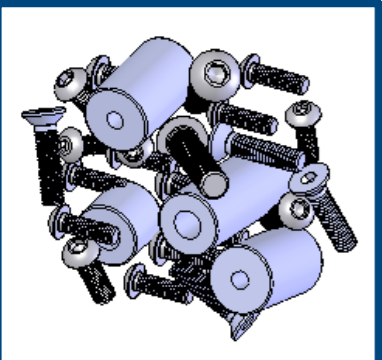


## Your Pack Should Contain



### 1 Fixtures Pack

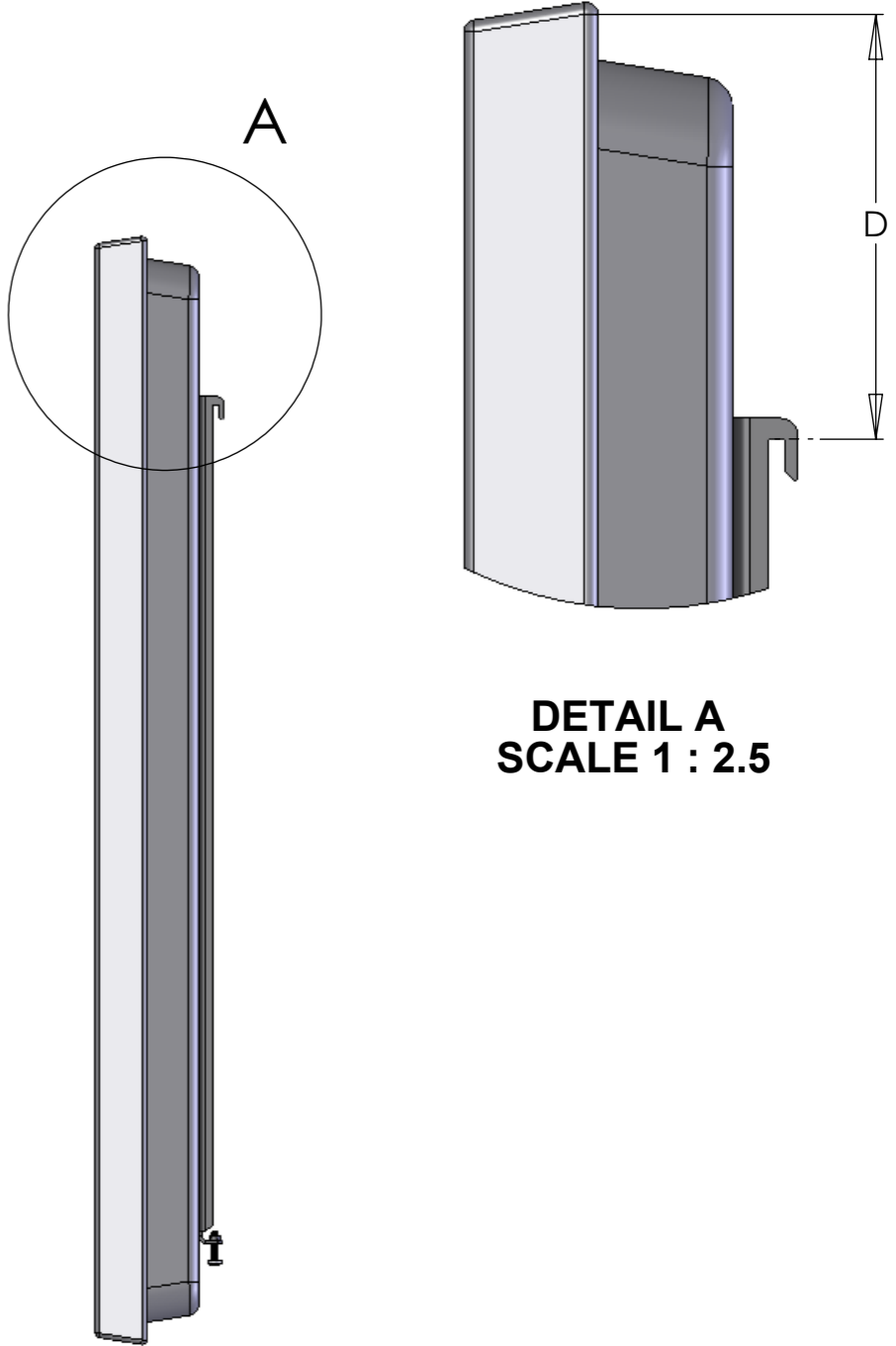


## Stage 1 Fitting The Uprights To The Screen

**Bolt the two uprights to the back of the screen.  
Both with the hooked ends towards the top the screen.**



The distance shown in Detail A should be equal to the distance 'D' measured in Stage 2.



**DETAIL A  
SCALE 1 : 2.5**

### Stage 2 Fixing The Wall Plates

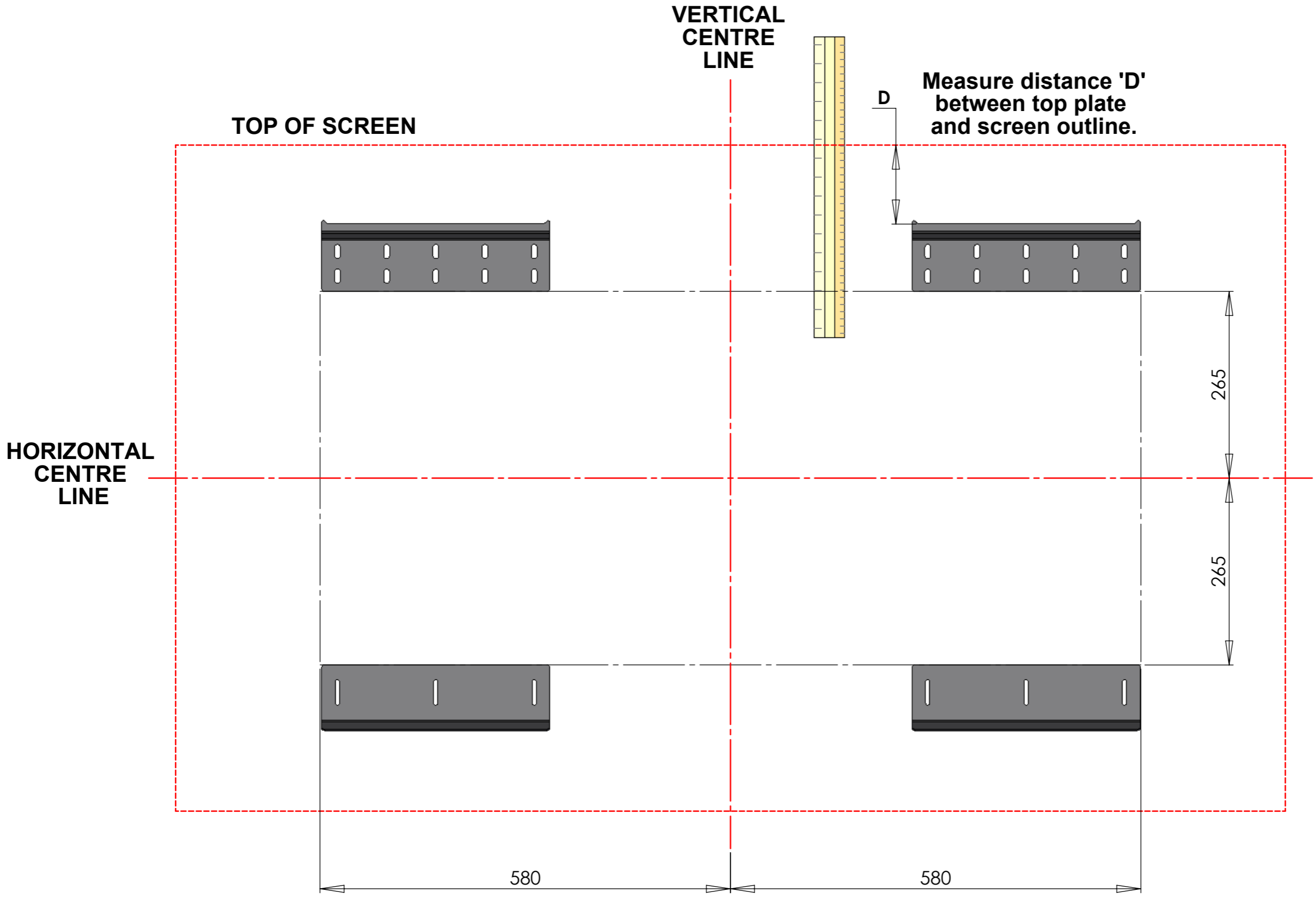
### Fixing

Place the brackets against the wall in the positions shown left.

Drill holes carefully, always making sure the brackets are level and square using a spirit level.

Use fixings that are suitable for the type of wall being fixed to.

Typical brickwork wall fixings require the use of plastic wall plugs with coach screws. The bottom plates can be fixed with 6mm woodscrew fixings.



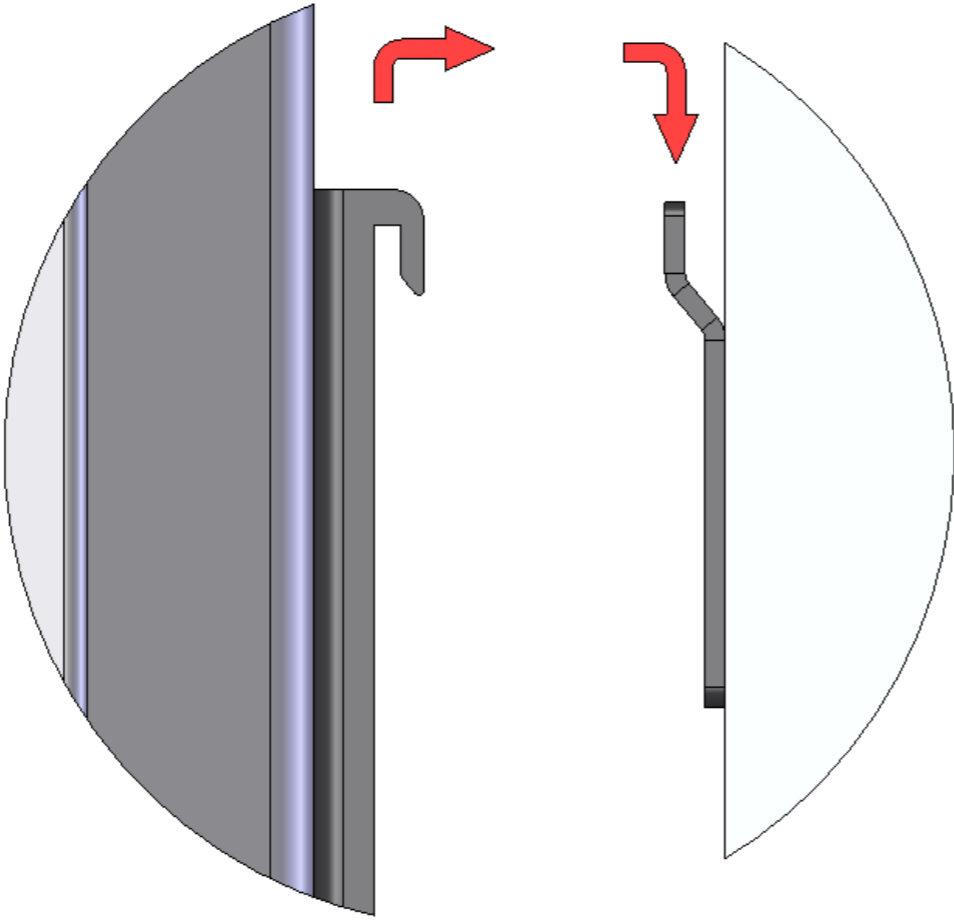
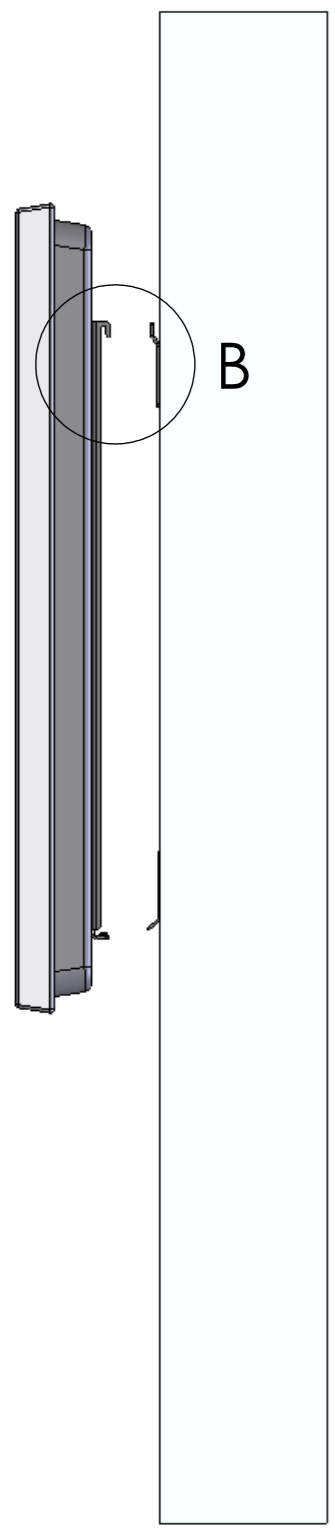
## Stage 3

### Fitting The Screen & Uprights To The Wall Plates

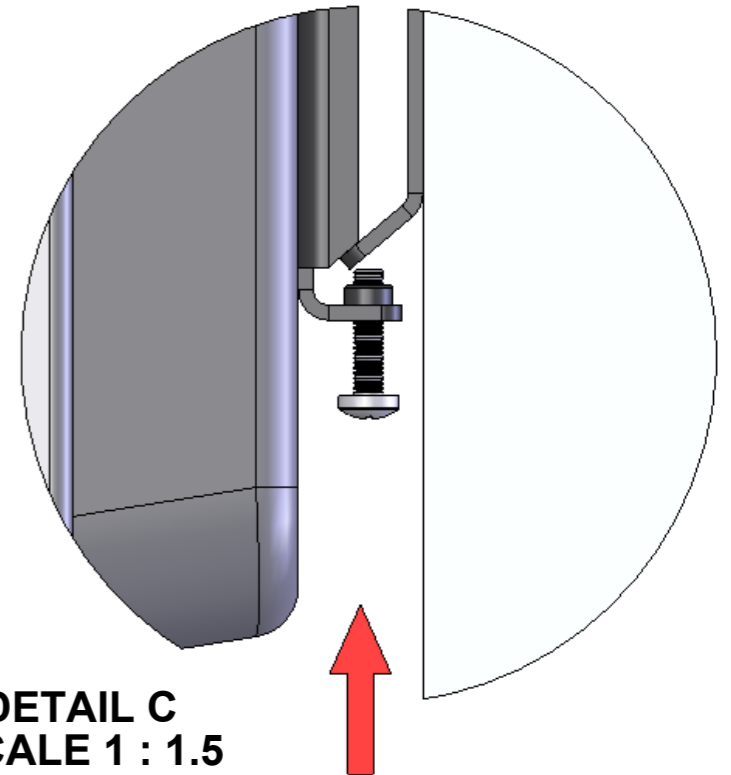
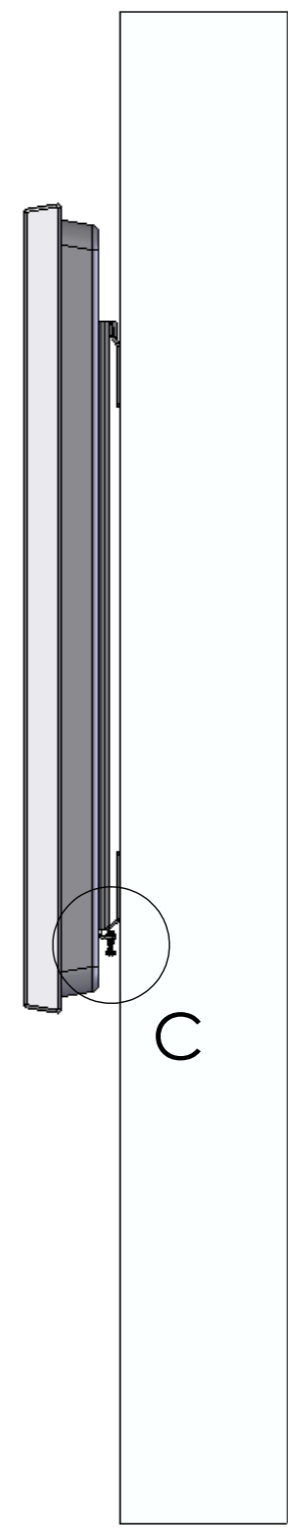
### Fixing

Hook the top of the two uprights over the top plates.

Use the M6 x 25mm screws at the bottom of the uprights to tighten up on the bottom plate and fix the uprights in place.



DETAIL B  
SCALE 1 : 1.5



DETAIL C  
SCALE 1 : 1.5