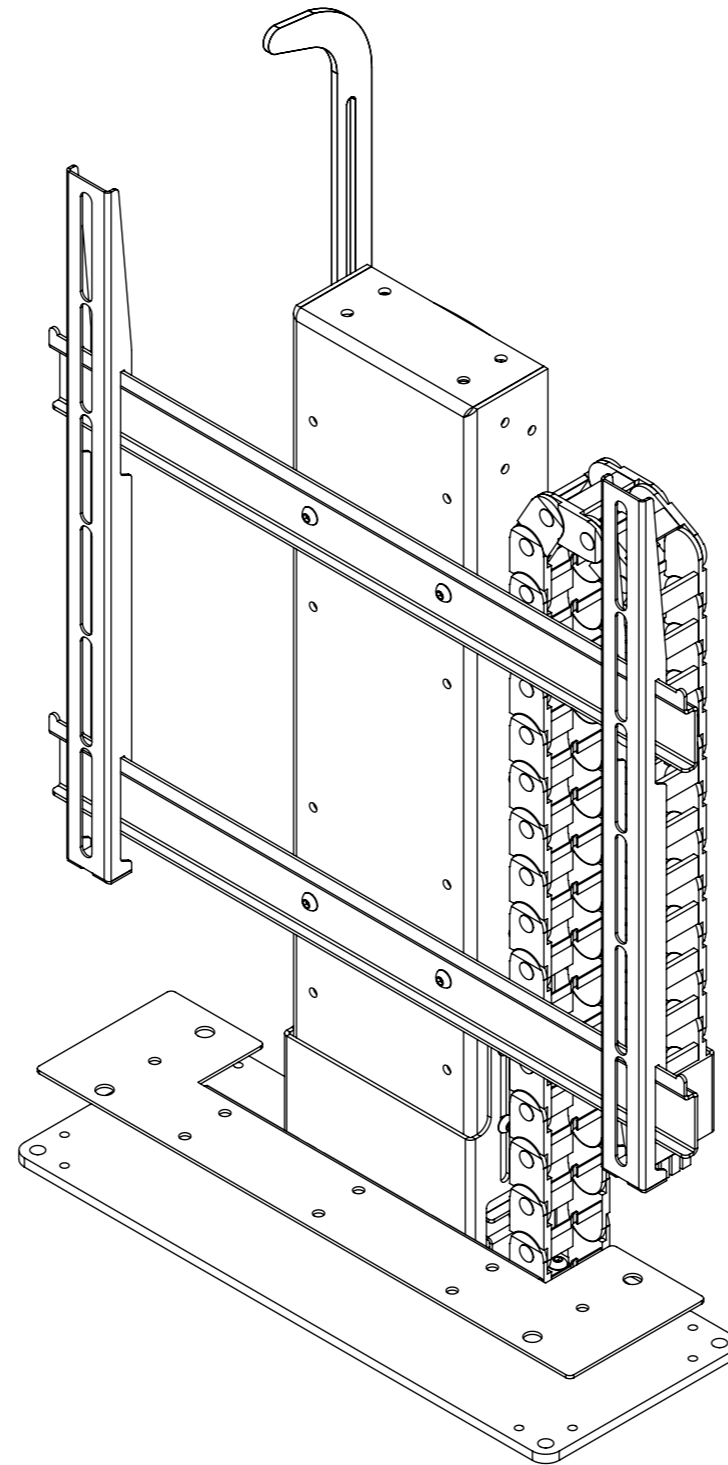


AL675

ACTUATOR LIFT



future automation



AL675

ACTUATOR LIFT



SPECIFICATION	MEASUREMENTS
Product Dimensions	475mm (18.7") x 765mm (30.1") x 150mm (5.9")
Screen Sizes (approx)	32" - 48"
Maximum Screen Height	645mm (25.39")
Maximum Weight Capacity	50Kg (110lb)
Maximum Elevation from Down Position	675mm (26.6")
Lid Types Available	Push Flap or Fixed Lid
Product Weight	15Kg (33lb)
Movement Type	Motorised
Packaging Dimensions	730 x 590 x 260mm (28.74 x 23.22 x 10.23")
Shipping Weight	23Kg (51lb)
Power Supply Required	110V - 240V AC
Power Consumption Max.	100W
Power Consumption Standby	3W
Mounting Patterns Supported	VESA 400, 300, 200, 100 W x 400, 300, 200, 100 H
Control Options	IR Remote, RS232, Contact Closure
Product Options / Features	Specific B&O and Loewe mounts / adapters, Custom RAL paint finishes
Package Contents	Mechanism, IR remote control, Hardware for both lid types
Marine Suitable	No

AL675 ACTUATOR LIFT

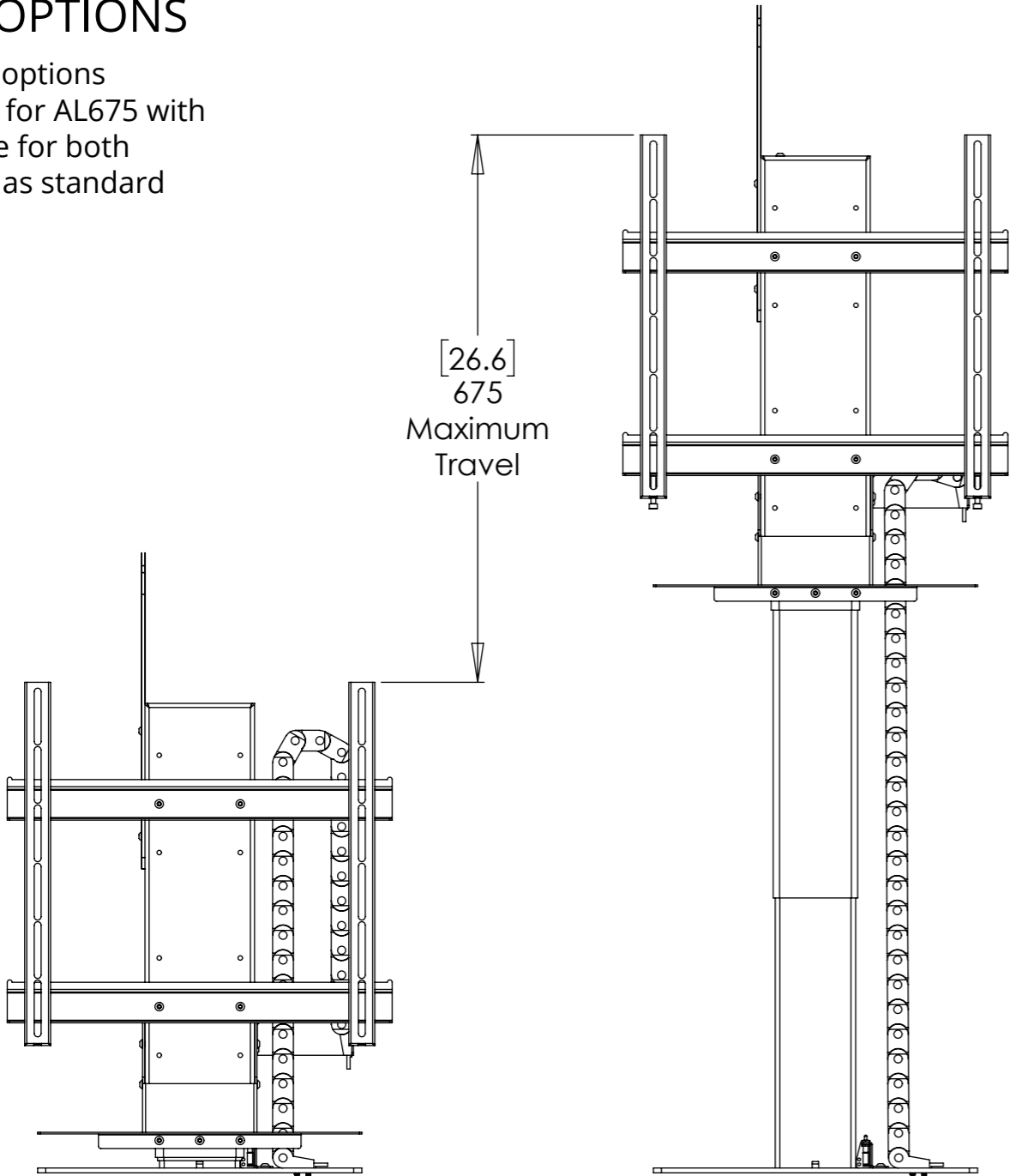


future automation

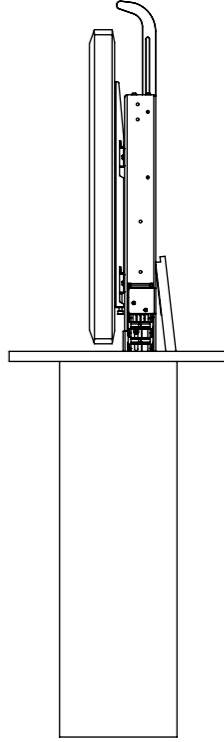
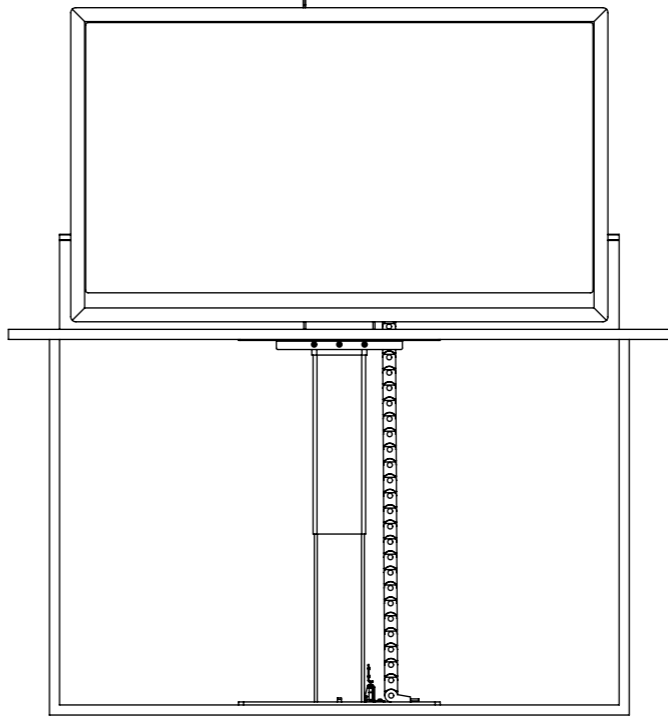
FLAP OPTIONS

Two flap options available for AL675 with hardware for both supplied as standard

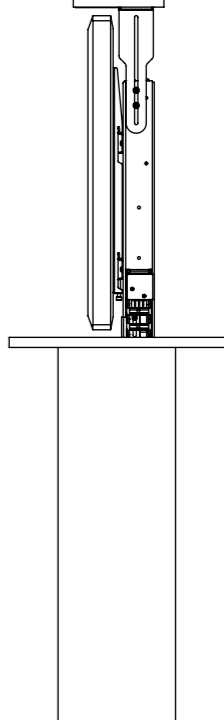
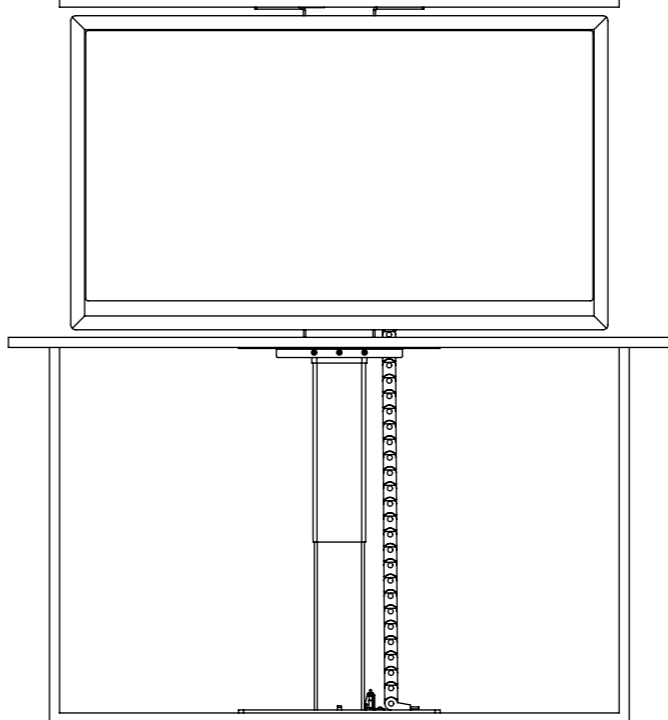
[26.6]
675
Maximum
Travel



Hinging Push Flap:



Fixed Flap:

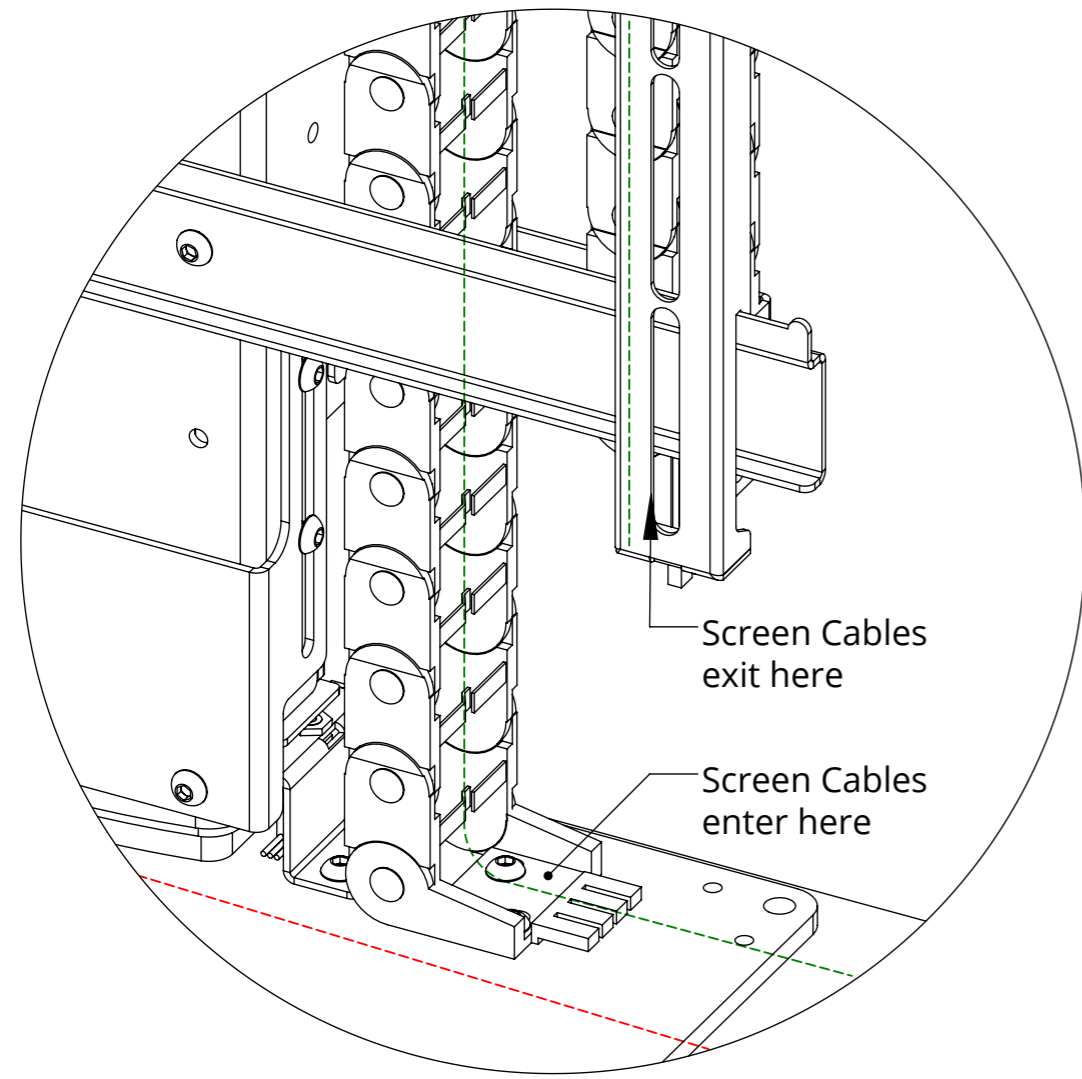


AL675 ACTUATOR LIFT

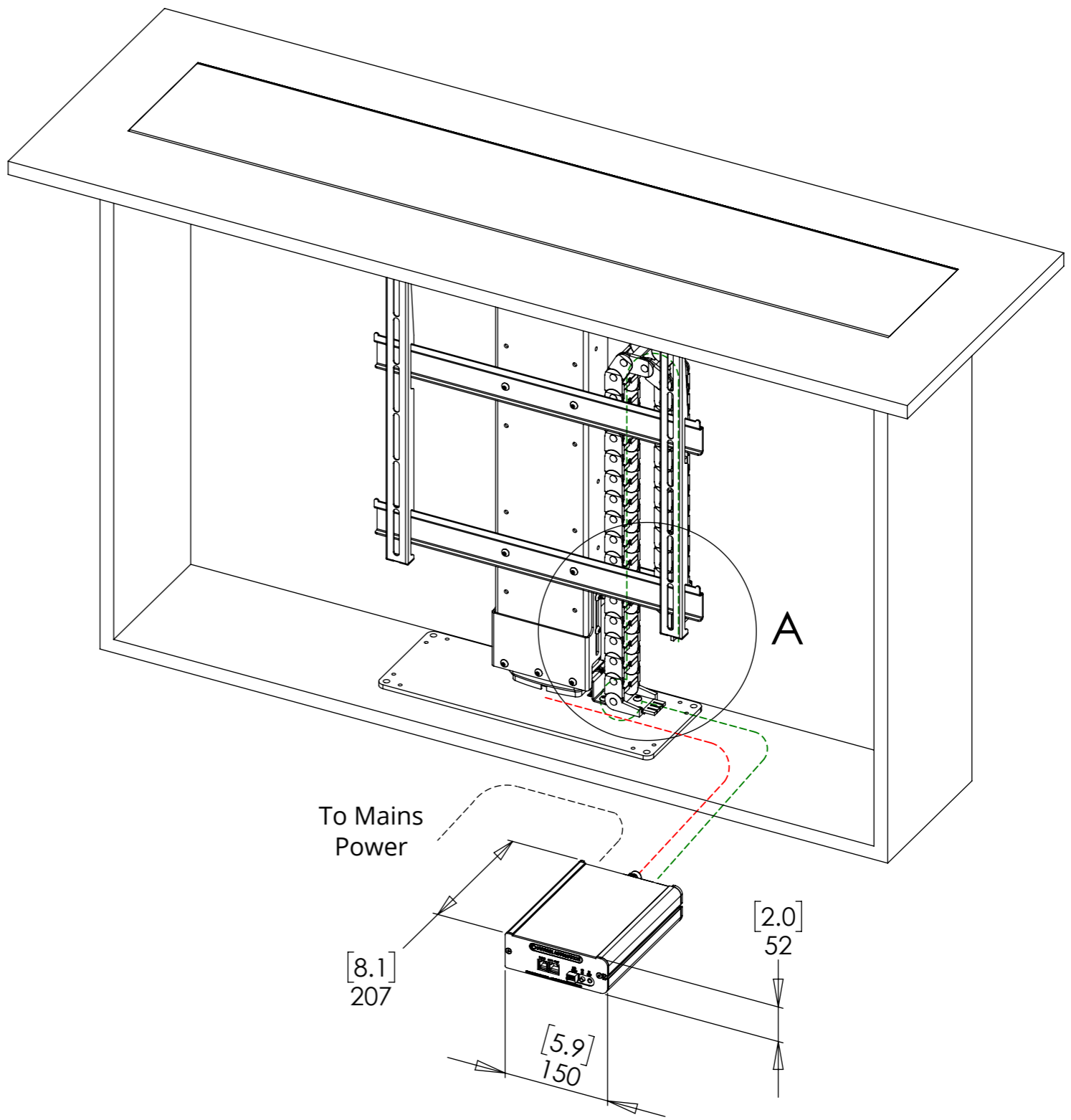
CABLE MANAGEMENT

The AL675's mounting allows for cables from the screen to be fed through the intergrated cable management. This allows the cables to be stowed tidily within the mechanism.

The Mechanism Cable should be routed to the provided control box through a hole in the cabinet. This should be in an easily accessible location.



DETAIL A
SCALE 1 : 2

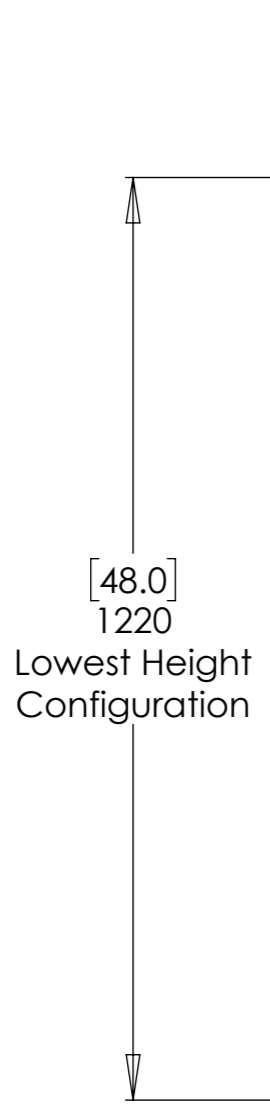
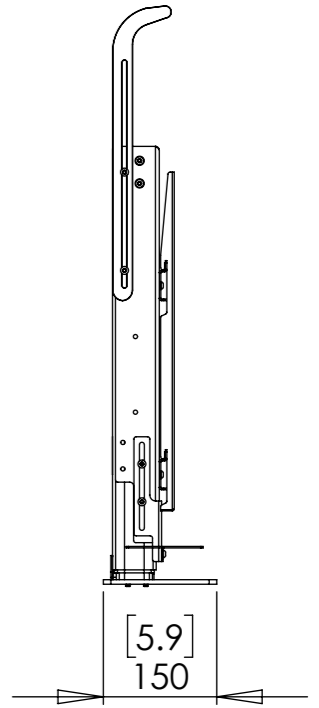
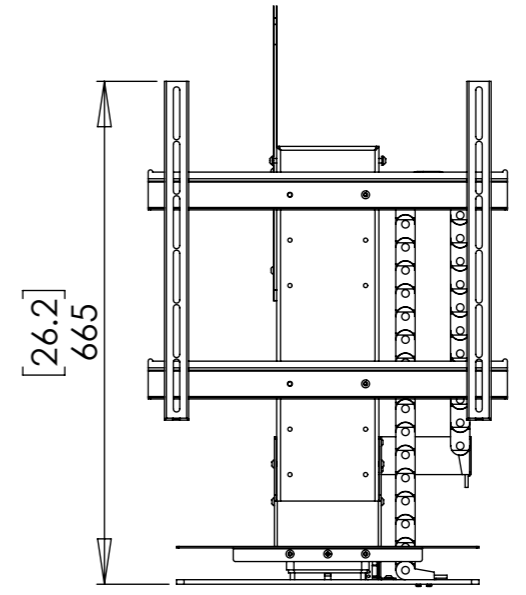
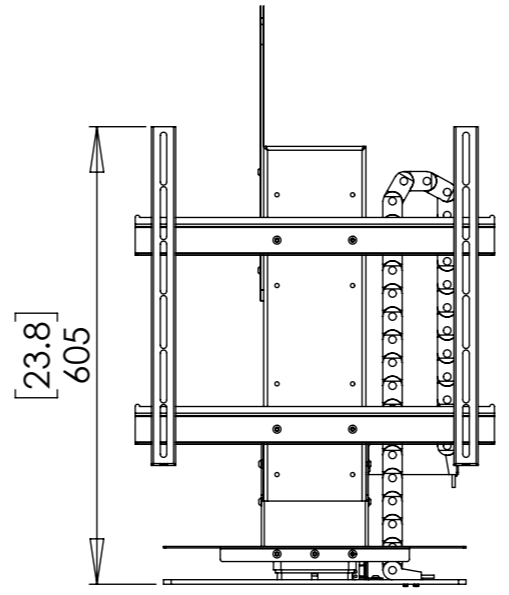
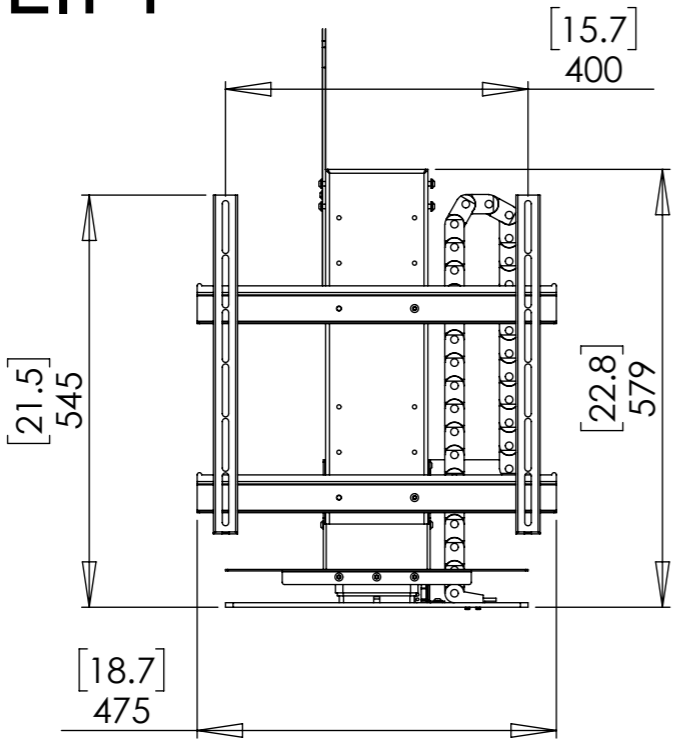


AL675 ACTUATOR LIFT

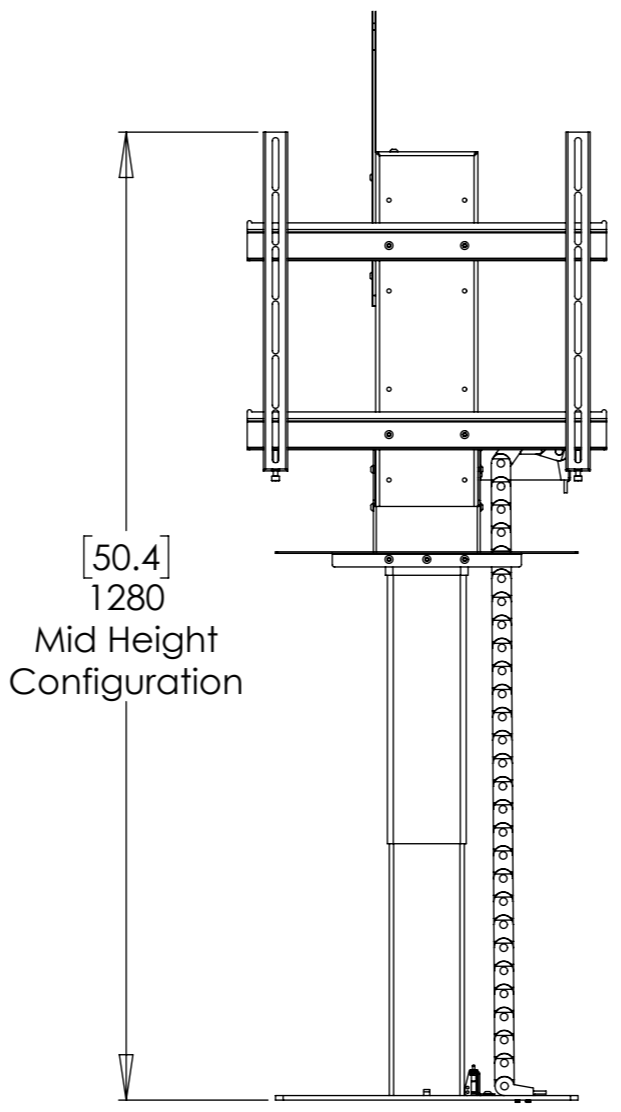
LIFT DIMENSIONS

Three mount heights available

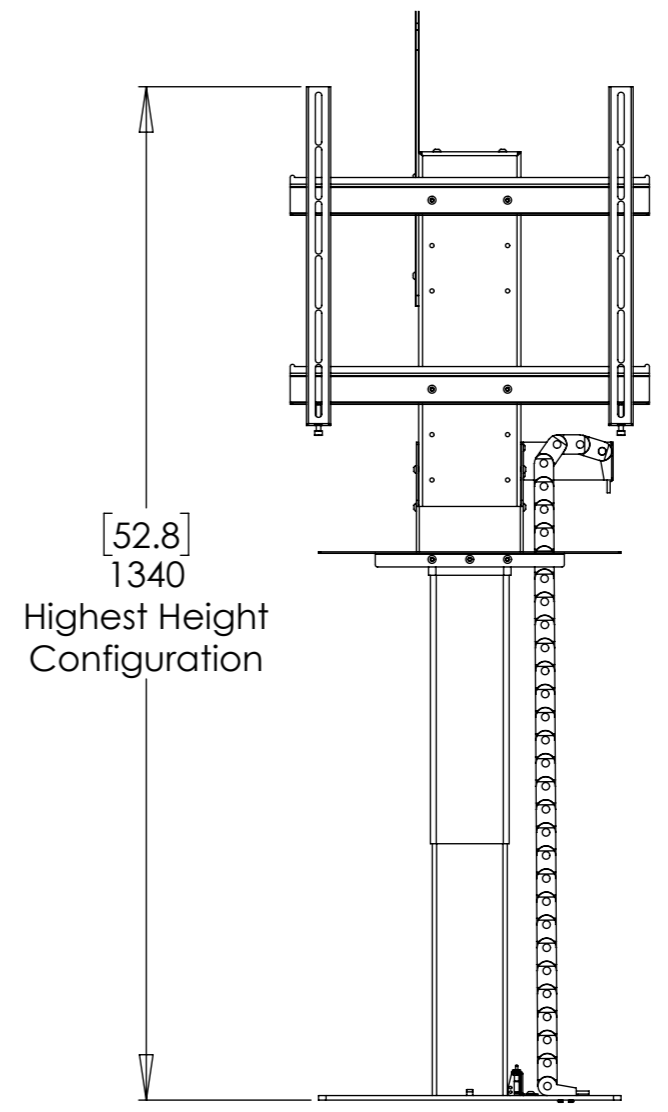
The AL675 allows for screens of size 32-48" with a maximum mounting width of 400mm.



Lowest Height Configuration



Mid Height Configuration

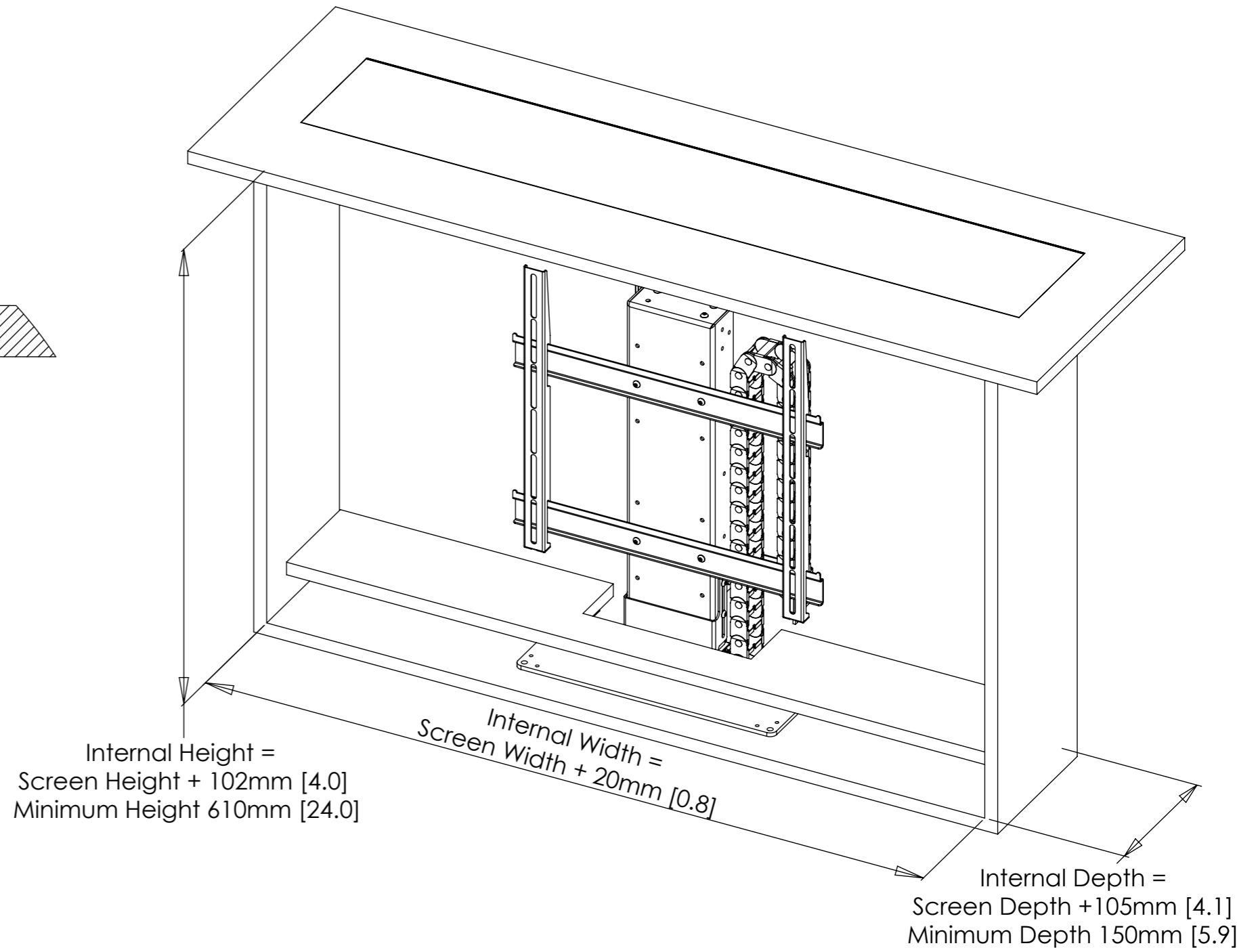
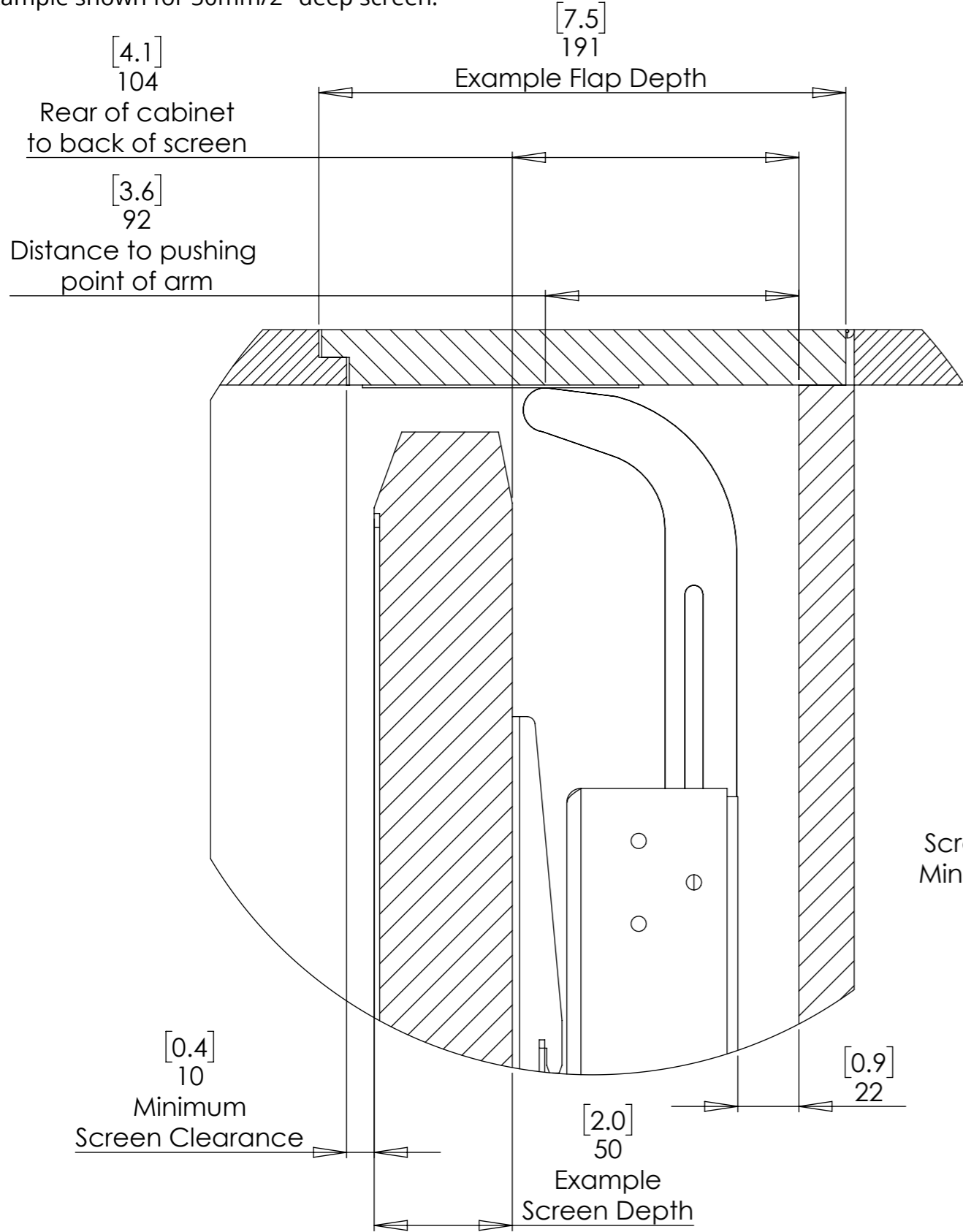


Highest Height Configuration

AL675 ACTUATOR LIFT

CABINET DIMENSION DETAILS

Example shown for 50mm/2" deep screen.



AL675 ACTUATOR LIFT

BASE DIMENSIONS

